

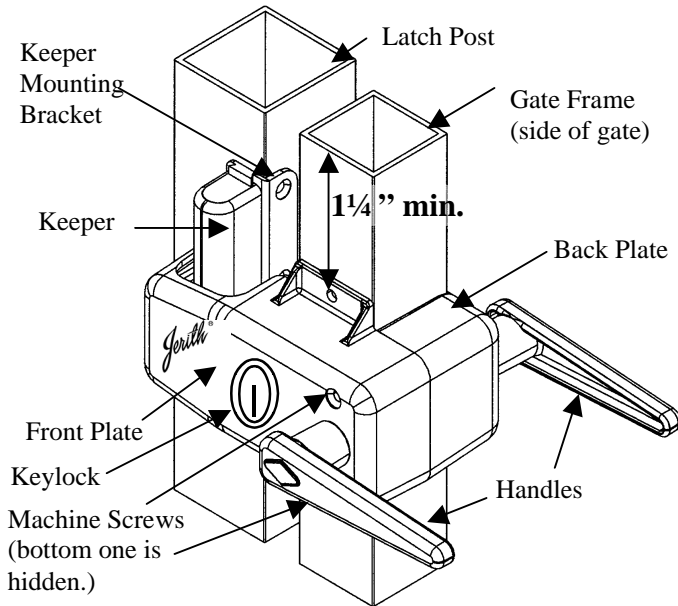
# Jerith Ever-Latch™ Installation Instructions

**This latch requires some assembly. The following pieces should be in the latch bag:**

- 2 - handles with set screws
- 1 - square spindle
- 1 - latch front (with Jerith logos)
- 1 - latch back plate
- 2 - keys for keylock
- 1 - keeper attached to keeper mounting bracket

- 1 - round bushing with square hole
- 1 - bag of hardware containing:
  - 1 - Allen wrench
  - 2 - 1 $\frac{3}{4}$ " machine screws
  - 2 -  $\frac{3}{4}$ " round-head screws
  - 7 -  $\frac{1}{2}$ " flat-head screws
  - 1 -  $\frac{1}{4}$ " flat-head screw

**To assemble and install the latch, complete the following steps. See the figure on the left to help with your assembly:**



**Completed Ever-Latch assembly for a gate that is hinged on the right and opens towards you.**

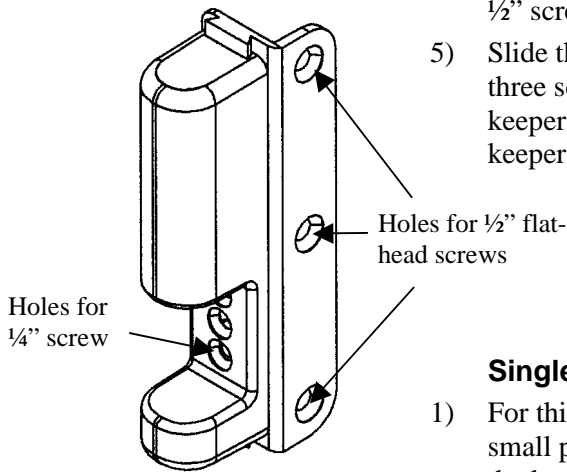
- 1) Position the latch front on the side of the gate frame that you want to swing out. Push the two 1 $\frac{3}{4}$ " machine screws all the way through the latch front.
- 2) Place the back plate on the other side of the gate frame and tighten the 1 $\frac{3}{4}$ " screws to attach the back to the front.
- 3) Position the latch at a convenient height (or as required by local codes) and drill four 1/8" pilot holes in the gate frame using the screw holes in the latch front and back as a template. Use the two  $\frac{3}{4}$ " round-head screws to attach the latch front to the gate frame and two  $\frac{1}{2}$ " flat-head screws for the back. **Note: The top screw hole on the front plate must be at least 1 $\frac{1}{4}$ " below the top of the gate frame.**
- 4) Place the spindle into one of the handles as far as it will go and use the Allen wrench to tighten the set screw in the handle.

- 5) Push the other end of the spindle through the large hole in the latch front, place the round bushing with the square hole in it into the round hole on the back plate, and attach the second handle to the other side of the spindle using the Allen wrench. Make sure both handles point away from the Jerith logos on the latch front and are parallel to the ground.
- 6) Place the keeper into the opening of the latch front behind the Jerith logos so that the open part of the keeper is at the bottom. The magnet in the latch front should automatically attach the keeper to the latch at this point. This will make positioning the keeper easier.

**Depending upon the gate installation, the keeper will be mounted differently. For a –  
Single gate latching against the front of any type of post:**

- 1) Make sure the keeper mounting bracket is attached to the keeper so that the 3 screw holes are on the side are closest to the gate, not the post. If the keeper mounting bracket is facing the wrong way, slide it off the keeper, reverse it and slide it back onto the keeper. (See sketch on the back of this page.)
- 2) Close the gate against the post and position the keeper mounting bracket so that it is against the corner of the latch post. Mark the top hole position of the bracket on the post.
- 3) Open the gate slightly and push down on the latch handle to release the keeper. Slide the keeper off the keeper mounting bracket.
- 4) Using the top hole position that you just marked and the keeper mounting bracket as a template, drill five 1/8" pilot holes through the recessed screw holes on the keeper mounting bracket, and fasten the

keeper mounting bracket with three ½" flat-head screws on the side of the latch post and two flat-head ½" screws on the front of the post.



- 5) Slide the keeper over the keeper mounting bracket and line up one of the three screw holes at the bottom of the keeper with one of the holes in the keeper mounting bracket. Use the ¼" screw to secure the keeper to the keeper mounting bracket.

- 6) Close the gate and test the operation of the latch. If the keeper needs to be adjusted, remove the ¼" screw, reposition the keeper and put the screw back in a new location.

### Single gate latching inside a column or wall:

- 1) For this type of installation, you need a "wall mount stringer". This is a small piece of 1" x 1½" rail that will attach to the column and will hold the keeper in position.
- 2) Slide the keeper mounting bracket off the keeper.
- 3) Place the keeper mounting bracket on the corner of the wall mount stringer. Position the leg of the keeper mounting bracket with 3 screw holes in it on the 1" side of the stringer and the bracket leg with multiple holes on the 1½" stringer side. Use the keeper mounting bracket as a template and drill five 1/8" pilot holes through the recessed screw holes on the keeper mounting bracket. Fasten the keeper mounting bracket to the stringer with five ½" screws.
- 4) Slide the keeper mounting bracket/stringer back onto the keeper so that the open side of the stringer is against the column. Attach the stringer to the column using appropriate fasteners (not provided).
- 5) Push down on the latch handle to release the keeper.
- 6) Line up one of the three screw holes at the bottom of the keeper with one of the holes in the keeper mounting bracket. Use the ¼" screw to secure the keeper to the bracket.
- 7) Close the gate and test the operation of the latch. If the keeper needs to be adjusted, remove the ¼" screw, reposition the keeper, and put the screw back in a new location.

### Double gate with a gap less than or equal to 1¼" between the gates:

This installation is the same as a single gate attaching to a post. The only difference is that instead of attaching the bracket to a post, you will attach it to the side of the other gate. If you can narrow the gap between the gates, this will be a better installation than the method below.

### Double gate with a gap greater than 1¼" between the gates:

- 1) Make sure the keeper mounting bracket attached to the keeper is positioned so that the 3 screw holes on the side are closest to the gate **without the latch on it**. This is known as the "stationary gate". If the keeper mounting bracket is facing the wrong way, slide it off the keeper, reverse it and slide it back onto the keeper.
- 2) Close the gate with the latch on it and position the keeper mounting bracket so that it is against the side of the stationary gate. Mark the top hole position of the bracket on the side of the stationary gate.
- 3) Open the gate slightly and push down on the latch handle to release the keeper. Slide the keeper off the keeper mounting bracket.
- 4) Using the top hole position that you just marked and the keeper mounting bracket as a template, drill three 1/8" pilot holes through the recessed screw holes on the side of the bracket, and fasten the bracket with ½" screws to the side of the stationary gate. If properly installed, the bracket will extend into the opening between the two gates.
- 5) Slide the keeper over the keeper mounting bracket and line up one of the three screw holes at the bottom of the keeper with one of the holes in the keeper mounting bracket. Use the ¼" screw to secure the keeper to the bracket.
- 6) Close the gate and test the operation of the latch. If the keeper needs to be adjusted, remove the ¼" screw, reposition the keeper, and put the screw back in a new location.